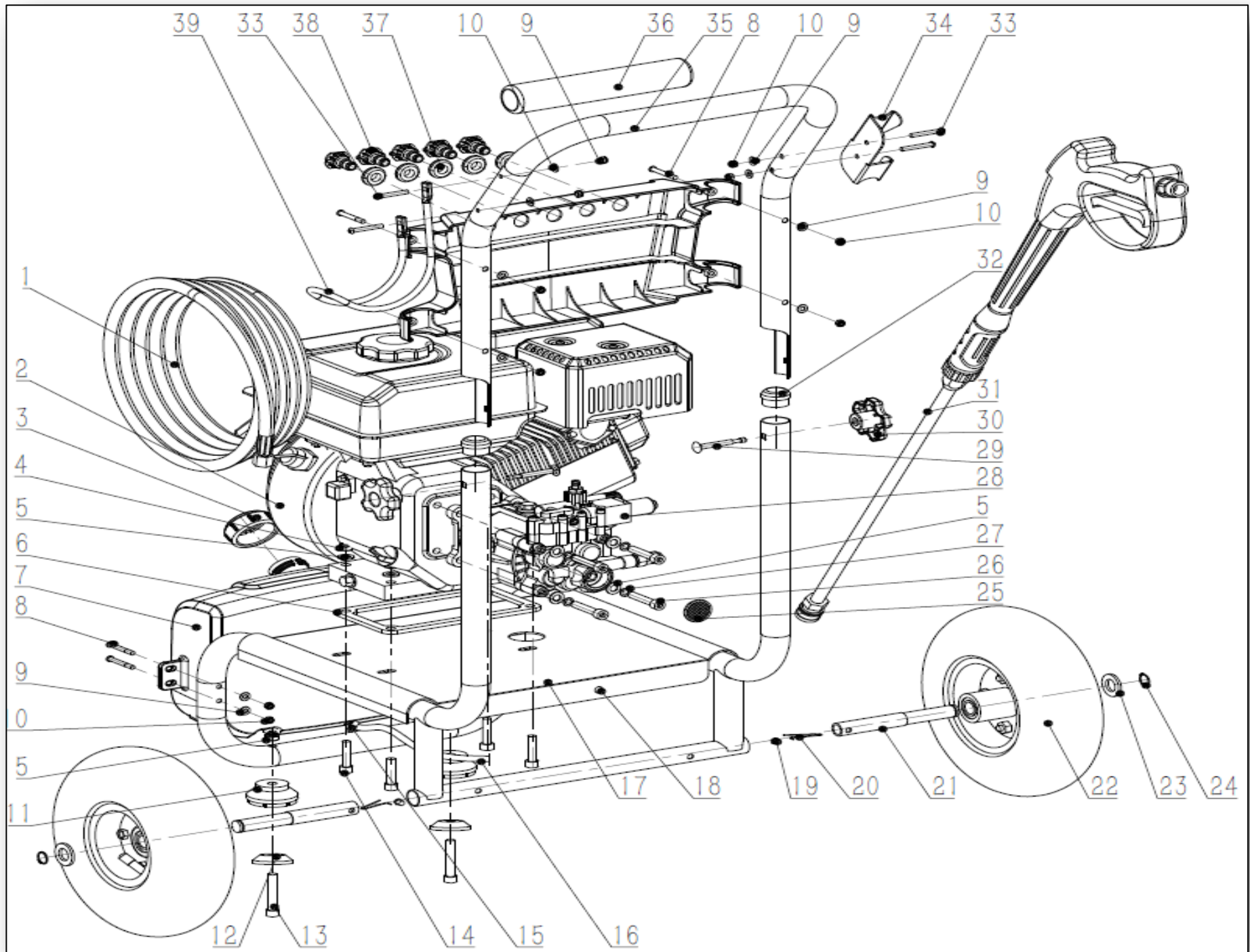

G 3000 GAS PRESSURE WASHER (1.107-280.0)	1
MODEL OVERVIEW	2-3
10 SPARE PART LIST, G3000	4
10 FRAME	5
20 SPARE PART LIST, G3000	6
20 PUMP	7
30 SPARE PART LIST, G3000	8
30 MOTOR	9
40 SPARE PART LIST, G3000	10
41 SPARE PART LIST, G3000 ACCESSORIES - TRIGGER GUN	11
41 ACCESSORIES - TRIGGER GUN	12
42 SPARE PART LIST, G3000 ACCESSORIES - HIGH PRESSURE HOSE	13
42 ACCESSORIES - HIGH PRESSURE HOSE	14
43 SPARE PART LIST, G3000 ACCESSORIES - SPRAY WAND / LANCE	15
43 ACCESSORIES - SPRAY WAND / LANCE	16
44 SPARE PART LIST, G3000 ACCESSORIES - NOZZLES	17
44 ACCESSORIES - NOZZLES	18

Model: G3000 Kärcher P/N: 1.107-280.0, Overview



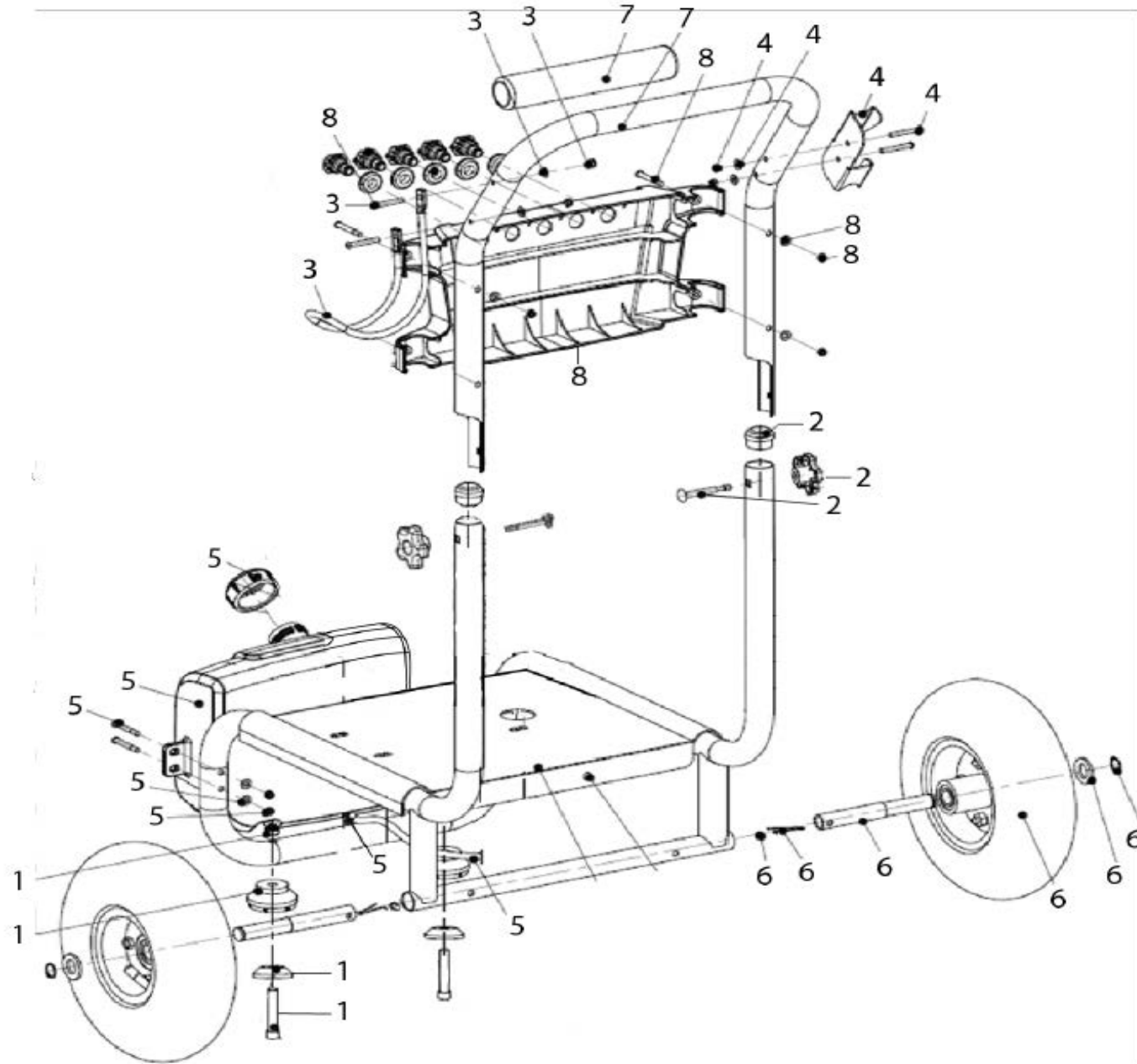
Model: G3000 Kärcher P/N: 1.107-280.0, Overview

1	High Pressure Hose
2	Engine
3	Detergent bottle Cap
4	Locknut
5	Plain Washer
6	Engine Pad
7	Detergent Bottle
8	Cross Pan Head Screw
9	Plain Washer
10	Locknut
11	Footpad
12	Bracket
13	Inner Hexagon Bolt
14	Inner Hexagon Bolt
15	Injection Hose Circlip
16	Injection Hose
17	Lower Frame Assembly
18	Lead Wire Wrapper
19	Clips
20	Spring Wire
21	Wheel Axle
22	Wheel
23	Plain Washer
24	Circlip
25	Inlet Filter
26	Inner Hexagon Bolt
27	Spring Gasket
28	Pump - Horizontal Mount
29	Square Neck Bolt

30	Fixed Nut Component
31	High Pressure Gun
32	Plug
33	Cross Pan Head Screw
34	Gun Hooker
35	Upper Frame
36	Handrail Foam
37	Nozzle Pad
38	Nozzle
39	Hose Hooker
40	Name Plate Label
41	Engine Cover Label
42	Air Cleaner Label
43	Warning Label
44	Throttle Control Label <input type="checkbox"/>
45	Choke Switch Label
46	Fuel Level Label <input type="checkbox"/>
47	Fire Warning Label <input type="checkbox"/>
48	Oil Hang Tag
49	Carb Label
50	Engine Oil Sump Tag
51	O-Ring label
52	Serial No. Tag
53	Manual
54	Box
55	Oil Bottle 20 OZ.
56	Label Oil Bottle Front
57	Label Oil Bottle Back

POS Description

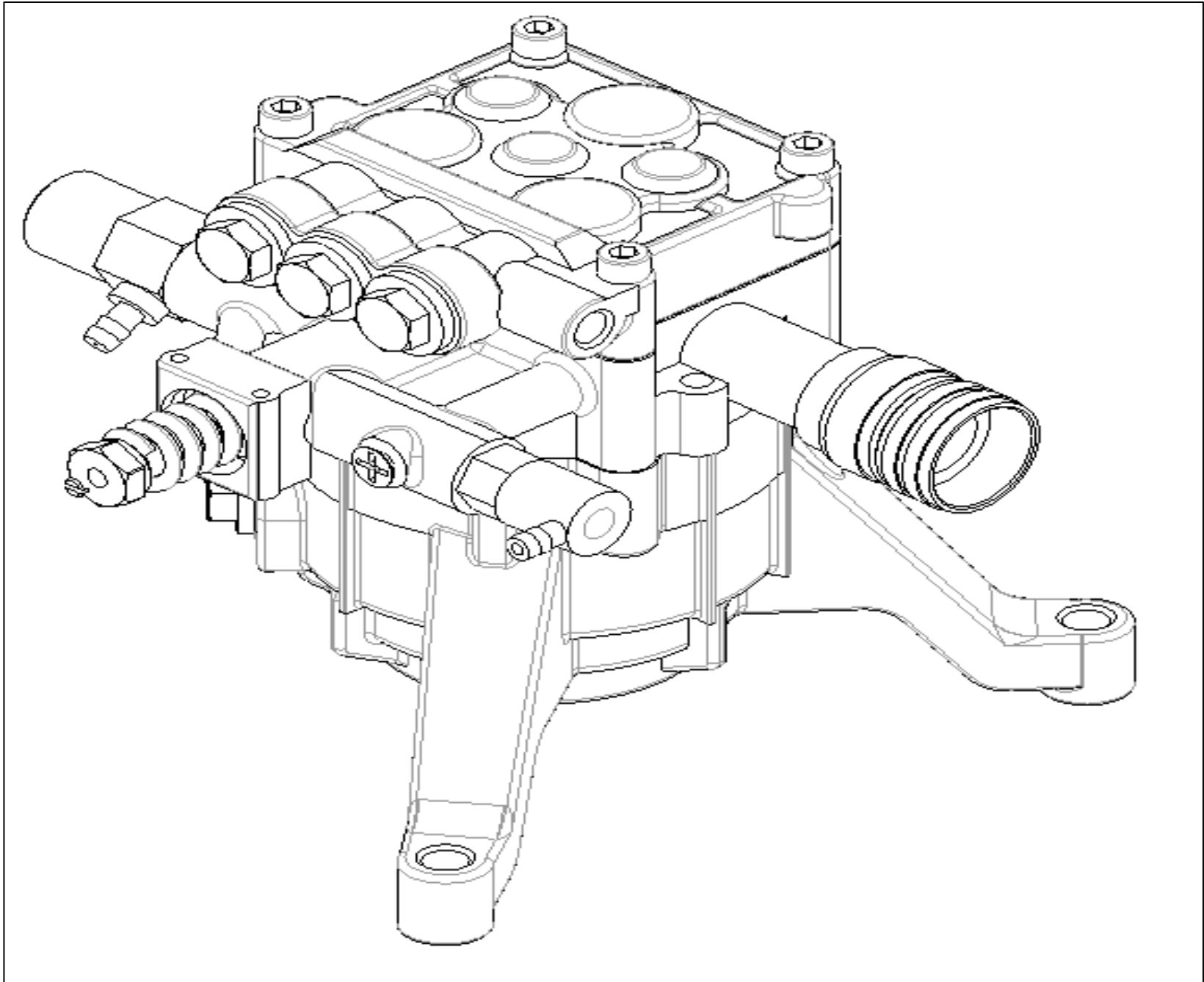
10 FRAME



POS	Article no.	Description	Quantity	Unit	Foot note text
1	8.755-629.0	SERVICE KIT 1 RUBBER PAD	1.000	ST	ARTICLE ONLY AVAILABLE AT KNA
2	8.755-630.0	SERVICE KIT 2 HANDLE KNOB	1.000	ST	ARTICLE ONLY AVAILABLE AT KNA
3	8.755-631.0	SERVICE KIT 3 HOOK	1.000	ST	ARTICLE ONLY AVAILABLE AT KNA
4	8.755-633.0	SERVICE KIT 5 BRACKET GUN G2700/G3000	1.000	ST	ARTICLE ONLY AVAILABLE AT KNA
5	8.755-635.0	SERVICE KIT 7 DETERGENT TANK G2700/G3000	1.000	ST	ARTICLE ONLY AVAILABLE AT KNA
6	8.755-637.0	SERVICE KIT 9 WHEEL G2700/G3000	1.000	ST	ARTICLE ONLY AVAILABLE AT KNA
7	8.755-639.0	SERVICE KIT 11 FRAME HANDLE UPR G2700/G3000	1.000	ST	ARTICLE ONLY AVAILABLE AT KNA
8	8.755-641.0	SERVICE KIT 13 NOZZLE G2700/G3000	1.000	ST	ARTICLE ONLY AVAILABLE AT KNA

POS Description

20 PUMP



POS	Article no.	Description	Quantity	Unit	Foot note text
1	8.755-745.0	G2700 PUMP KIT 24	1.000	ST	ARTICLE ONLY AVAILABLE AT KNA

POS	Description
-----	-------------

30	MOTOR
----	-------

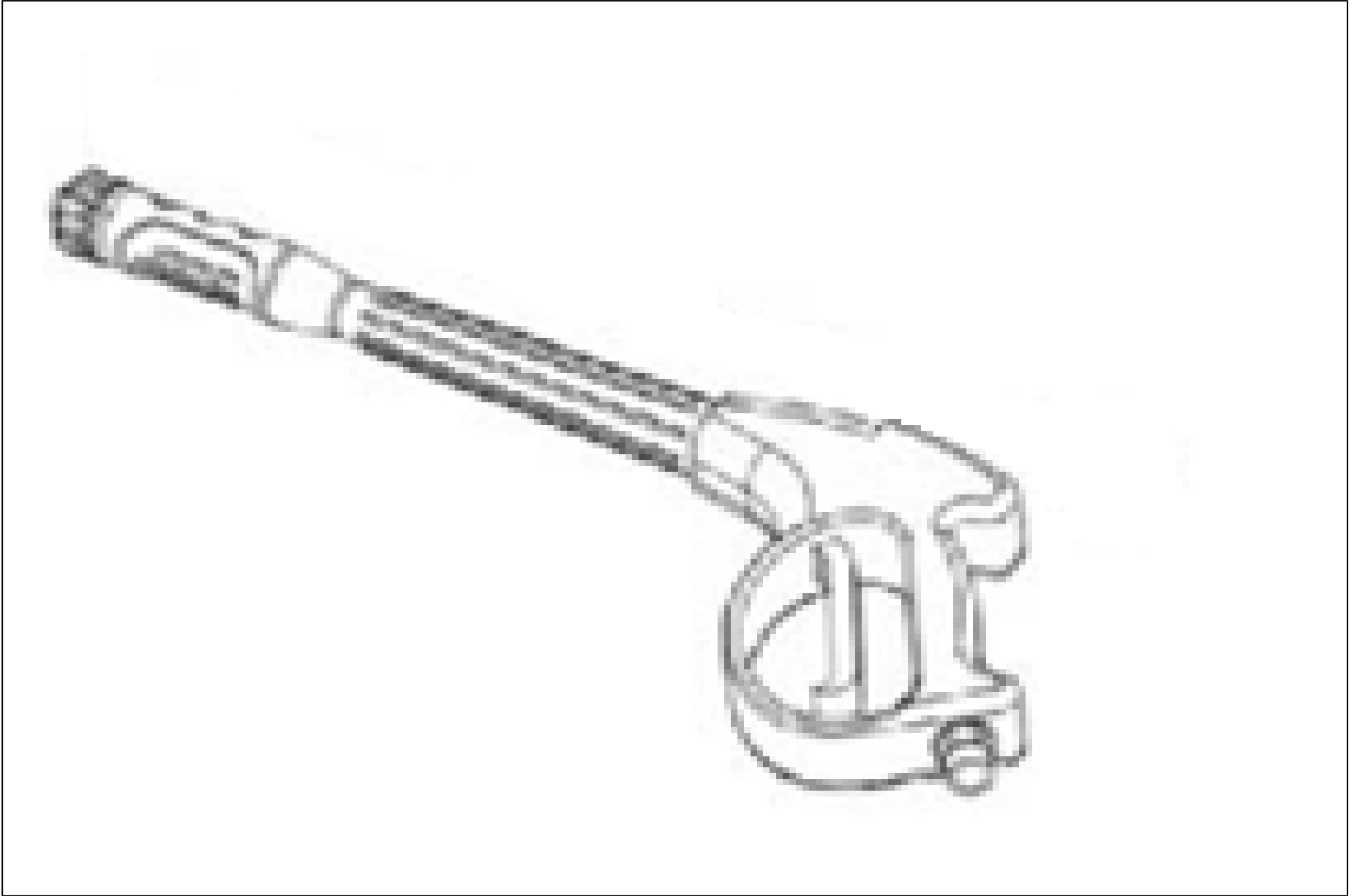
POS	Article no.	Description	Quantity	Unit	Foot note text
-----	-------------	-------------	----------	------	----------------

G3000 GAS PRESSURE WASHER (1.107-280.0)

POS	Description
40	ACCESSORIES -
41	TRIGGER GUN
42	HIGH PRESSURE HOSE
43	SPRAY WAND / LANCE
44	NOZZLES

POS Description

41 ACCESSORIES - TRIGGER GUN

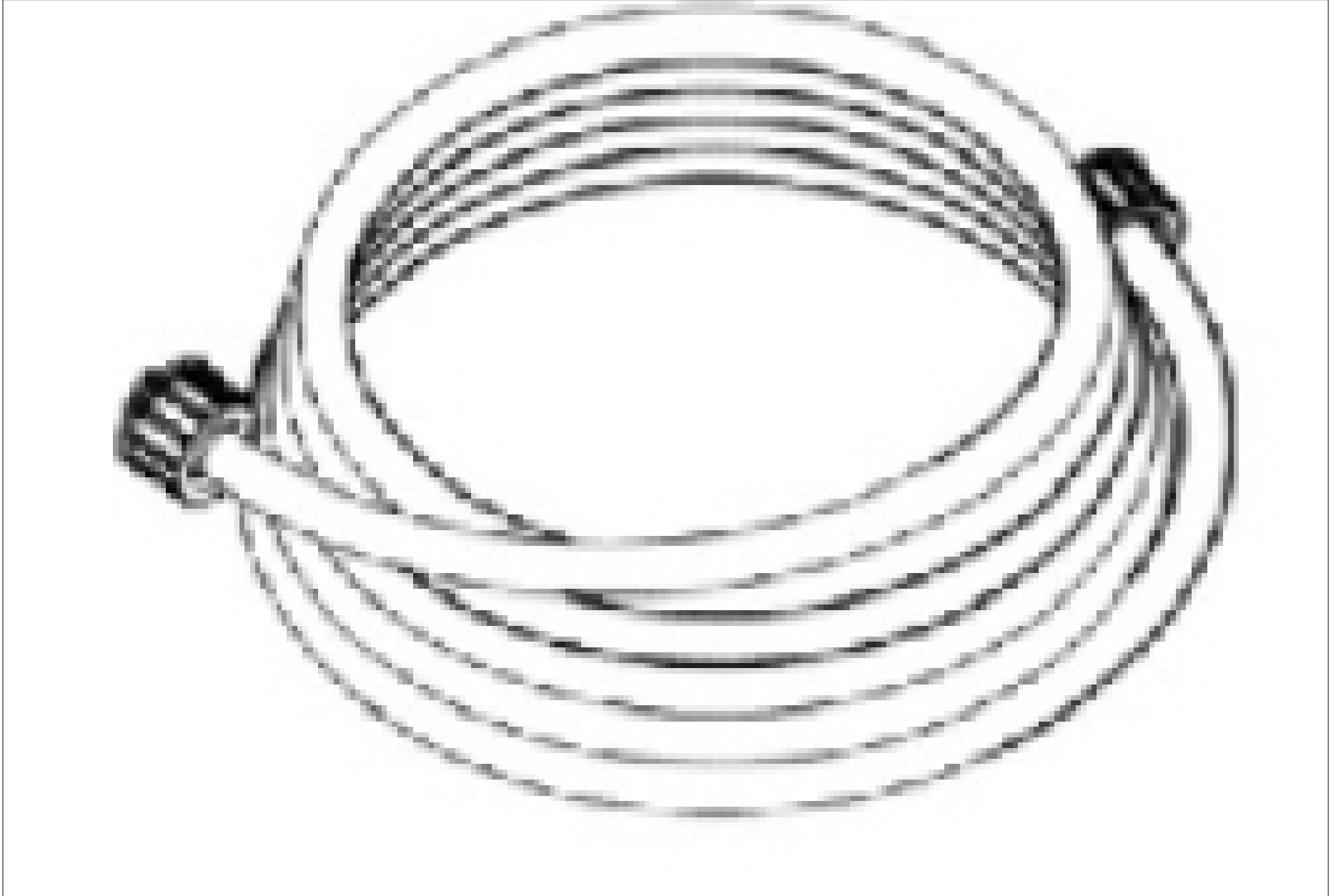


41 ACCESSORIES - TRIGGER GUN

POS	Article no.	Description	Quantity	Unit	Foot note text
1	8.750-825.0	TRIGGER GUN	1.000	ST	ARTICLE ONLY AVAILABLE AT KNA
	2.880-990.0	O-RING 10.0x2.0 (5-PACK)	1.000	ST	ARTICLE ONLY AVAILABLE AT KNA

POS Description

42 ACCESSORIES - HIGH PRESSURE HOSE

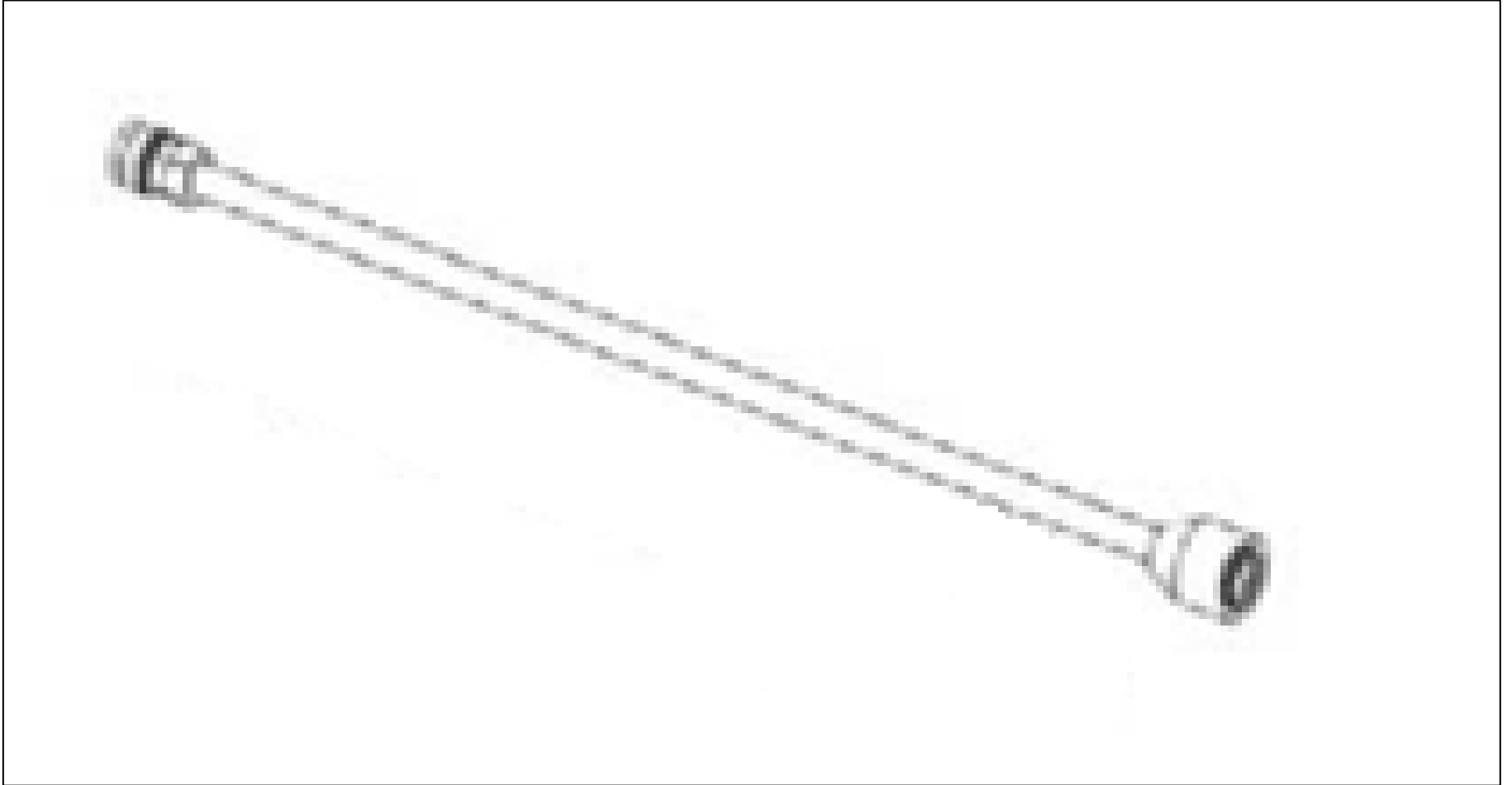


42 ACCESSORIES - HIGH PRESSURE HOSE

POS	Article no.	Description	Quantity	Unit	Foot note text
1	9.162-302.0	HIGH PRESSURE HOSE 25'	1.000	ST	ARTICLE ONLY AVAILABLE AT KNA
	2.880-990.0	O-RING 10.0x2.0 (5-PACK)	1.000	ST	

POS Description

43 ACCESSORIES - SPRAY WAND / LANCE

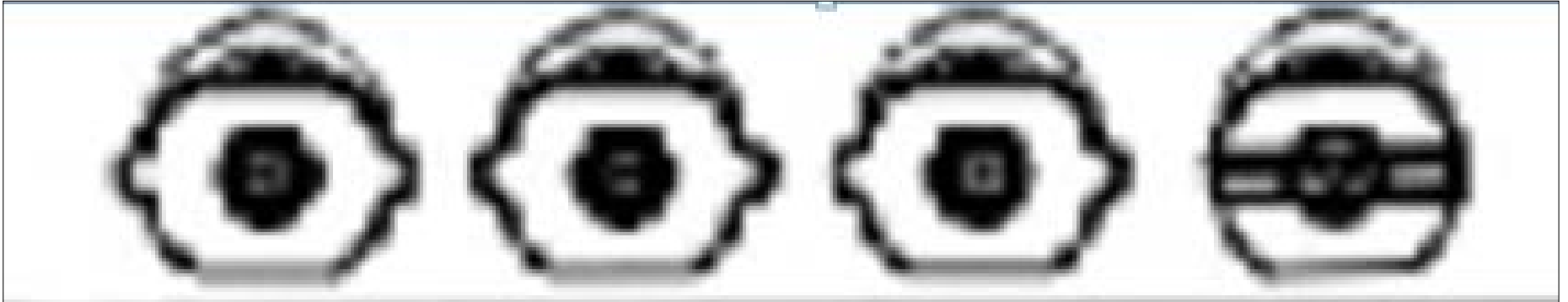


43 ACCESSORIES - SPRAY WAND / LANCE

POS	Article no.	Description	Quantity	Unit	Foot note text
1	9.112-533.0	SPRAY WAND / LANCE 22"	1.000	ST	ARTICLE ONLY AVAILABLE AT KNA
2	8.702-084.0	O-RING FOR QUICK CONNECT	1.000	ST	

POS Description

44 ACCESSORIES - NOZZLES



POS	Article no.	Description	Quantity	Unit	Foot note text
1	8.726-117.0	QUICK CONNECT NOZZLES 030 4-PACK	1.000	ST	RED 0°, GREEN 25°, WHITE 40°, BLACK SOAP
	8.723-576.0	QUICK CONNECT NOZZLE RED 00030	1.000	ST	PURCHASE INDIVIDUALLY
	8.902-482.0	QUICK CONNECT NOZZLE YELLOW 15030	1.000	ST	NOT SHOWN PURCHASE INDIVIDUALLY
	8.902-484.0	QUICK CONNECT NOZZLE GREEN 25030	1.000	ST	PURCHASE INDIVIDUALLY
	8.902-485.0	QUICK CONNECT NOZZLE WHITE 40030	1.000	ST	PURCHASE INDIVIDUALLY
	8.723-636.0	QUICK CONNECT NOZZLE SOAP	1.000	ST	PURCHASE INDIVIDUALLY